

Installation Instructions for the Installation Instructions for the FM-TS-L Tilt Swivel

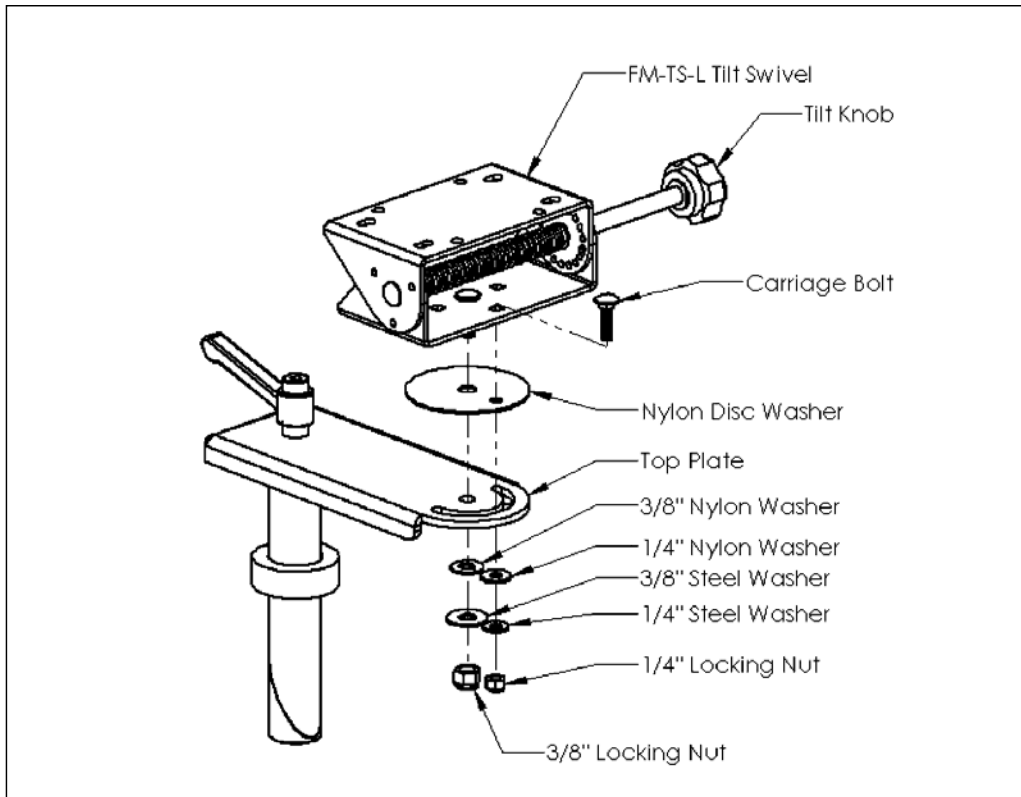


1013 Conshohocken Road, Building 4
Conshohocken, PA 19428-0978

For more information please contact one of our sales personnel at 800-330-5399

First  Mobile Technologies

Installation Instructions for the FM-TS-L Tilt Swivel



Steps for installation of the First Mobile Technologies Tilt Swivel

- 1.** Mount the Tilt Swivel onto a Top Plate or other device that has the swivel slot cutout. The Top Plate shown in the illustration is the most common; however the mounting to other devices would follow the same procedure.
- 2.** The Tilt Swivel comes pre-assembled with all of the required mounting hardware. Remove the two Locking Nuts, Washers and the Nylon Disc Washer.
- 3.** Place the Nylon Disc Washer onto the stud protruding from the bottom of the Tilt Swivel and then place this assembly through the hole in the Top Plate.
- 4.** Place the Carriage Bolt through the square hole in the Tilt Swivel, through the small round hole in the Nylon Disc Washer and then through the swivel slot cutout in the

Top Plate.

- 5.** On the underside of the Top Plate install the Nylon Washers, Steel Washers and the Locking Nuts. Adjust the swivel of the Tilt Swivel and then tighten the Locking Nuts.
- 6.** To adjust the Tilt Angle of the Tilt Swivel loosen the Tilt Knob. Slide the top portion of the Tilt Swivel towards the Knob to change tilt angle. Once desired tilt angle is obtained tighten Tilt Knob.

Warranty

First Mobile Technologies warrants to the original purchaser of our products that at the time of purchase our products will perform to its specific ratings and will be free from defects in materials and workmanship under normal use. The warranty period shall begin at the time of delivery.

First Mobile Technologies warrants this Dock for one year only. First Mobile Technologies will repair or replace, without charge, any products that fail due to defects in material or workmanship. This is the original purchaser's exclusive remedy under First Mobile Technologies warranty.

This warranty does not apply to: failure due to damage, misuse or abuse (such as excessive force, improper installations, or application of power in excess of specific ratings). This warranty also does not apply to: damages resulting from (i) accident, neglect, negligence, vandalism, fire, riot, war, or Acts of God; (ii) structural or other modification or alteration without prior express written authorization from First Mobile Technologies;

(iii) repair or attempted repair by unauthorized persons; (iv) replacement of original components with substitutes without prior written authorization from First Mobile Technologies; (v) failure to perform routine preventative maintenance as customarily accepted within the industry; or (vi) exposure to corrosives, containments, chemicals, salt or atmospheric or environmental conditions.

OTHER THAN THE WARRANTIES SET FORTH ABOVE, FIRST MOBILE TECHNOLOGIES EXPRESSLY DISCLAIMS ALL OTHER WARRANTIES, EXPRESSED, IMPLIED OR STATUTORY, INCLUDING, WITHOUT LIMITATION, AND WARRANTY OF MERCHANTABILITY, WARRANTY OF FITNESS FOR ANY PARTICULAR PURPOSE, WARRANTY BY DESCRIPTION OR SAMPLE, OR ANY WARRANTY ARISING BY USAGE OF TRADE, COURSE OF DEALING, OR COURSE OF PERFORMANCE. NO AGENT OR EMPLOYEE OF FIRST MOBILE TECHNOLOGIES OR ANY OTHER PERSON IS AUTHORIZED TO ALTER OR ENLARGE THESE WARRANTIES, EXTEND ADDITIONAL WARRANTIES OR AMEND THE DISCLAIMERS SET FORTH HEREIN ON BEHALF OF FIRST MOBILE TECHNOLOGIES.

FIRST MOBILE TECHNOLOGIES' LIABILITY UNDER THIS LIMITED WARRANTY DOES NOT EXTEND TO LOSS OF TIME, INCONVENIENCE, LOSS OF USE OF A VEHICLE (OR LOSS OF PROFITS RESULTING THEREFROM), INJURY TO PROPERTY OR PERSONS, OR ANY OTHER SPECIAL, INDIRECT, CONSEQUENTIAL OR INCIDENTAL DAMAGES WHATSOEVER.

All claims under this Warranty must be submitted in writing to First Mobile Technologies within the warranty period as stated herein.

Return Authorization – First Mobile Technologies must be contacted and a Return Authorization provided prior to submitting any product or goods. The Return Authorization number must be clearly identified on the outside of the package. The return of products that were a result of customer ordering error will be subjected to a 20% restocking fee. Customer is responsible for all return shipping charges. Unauthorized returns will be refused.

Warning:

First Mobile Technologies takes no responsibility for the installation of our mounting hardware and electronic systems. The safety of our systems is dependant on the proper installation of the product. There are no adjustments on any electronic parts. Any tampering or opening of the electronics area will void all product warranties.

DO NOT install or use this product in any manner that would interfere with the vehicle safety systems. (This includes the seat belt and airbag systems) Please comply with all manufacturer aftermarket installation guidelines.

FORD: Police Crown Victoria Hotline: 800-34-Fleet (343-5338)

GM: Law Enforcement Vehicle Hotline: 800-Fleet-Op (353-3867)

CHRYSLER: Fleet Law Enforcement Hotline: 800-999-Fleet (999-3533)

The use of our products is not designed to be used while the vehicle is in motion. FMT does not recommend the use of our products while driving. The vehicle should be stopped in a safe area, parked and with the safety brake activated. Driving Safety is most important and the responsibility for this safety is with the operator.

First Mobile Technologies designs our hardware with safety as our #1 priority. It is the sole responsibility of the Owner/Operator installing and operating our equipment that it will not interfere with the safe operation of the vehicle, or factory safety devices installed by the manufacturer. The installed unit shall not obstruct the field of vision of the operator of the system, and shall be installed securely to the vehicle to prevent the possibility of loose or unsecured hardware. Our system should only be installed by a trained automotive technician familiar with our hardware.

Disclaimer:

This product and all related hardware, content and functionality are provided "as is" without warranty of any kind, either expressed or implied. This is not limited to implied warranty of the merchantability or fitness for a particular purpose. The entire risk arising out of the use and or performance of this product remains with the owner/operator.

USE AT YOUR OWN RISK.

For more information please contact one of our sales personnel at 800-330-5399