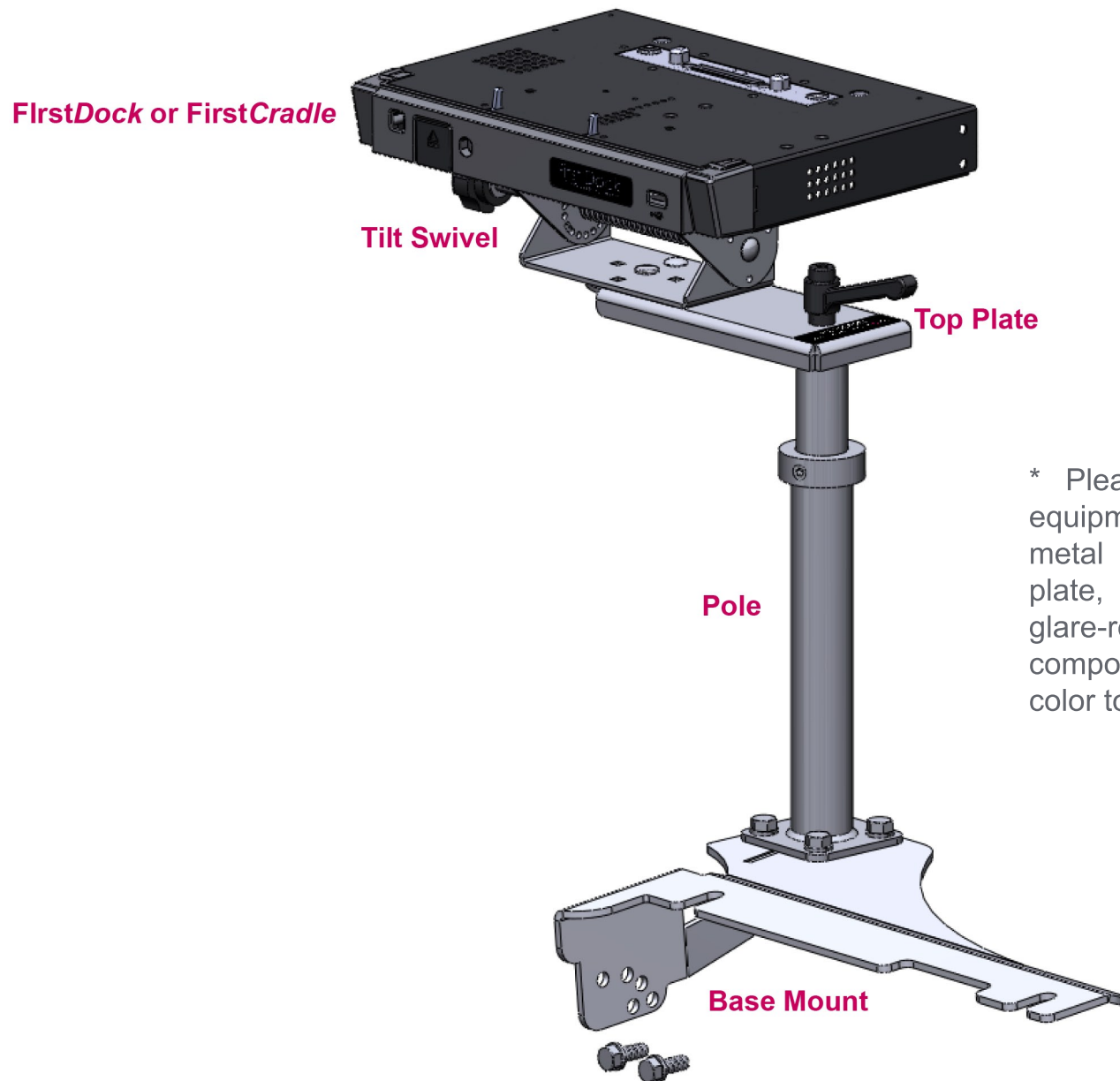


FM-CO-IMP2: Package for the Chevrolet Impala (2006 and newer)



* Please note that all our mounting equipment is actually black in color. All metal hardware (base mount, pole, top plate, tilt-swivel, etc.) is covered with a glare-resistant, black powder-coat. These components are pictured here in a lighter color to show more detail.

(Included hardwired Power Supply, Voltage Protection/Timer Device, and Wiring Harness are not pictured here)